

KUNSTSTOF ACCUMULATOREN





KUNSTSTOF ACCUMULATOREN



APV type

Accumulatore a membrana sostituibile

Caratteristiche tecniche

| | |
|-----------------------------|-----------------------------------------------------------------|
| Pressione di esercizio: | max. 10 bar |
| Precarica gas (solo azoto): | max. 90% P min.di esercizio |
| Rapporto pressione ammessa: | max. ≤ 4/1 |
| Temperatura di esercizio: | PVC: -10 +30°C PVDF, PP, PVC-C: -10 +40°C |
| Montaggio: | orizzontale o verticale con valvola gas rivolta verso l'alto |

Caratteristiche costruttive standard

| | |
|----------------------|-----------------------|
| Costruzione corpo: | PVC, PVC-C, PP o PVDF |
| Membrana: | secondo fluido |
| Valvola attacco gas: | 5/8"UNF versione 1 |
| Collaudo: | a richiesta |

Accumulator with exchangeable diaphragm

Technical data

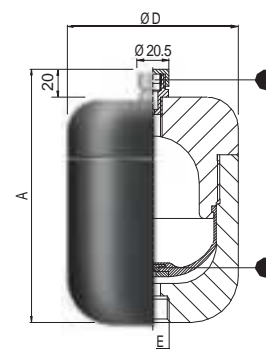
| | |
|------------------------------|--------------------------------------------------|
| Operating pressure: | max. 10 bar |
| Gas filling (nitrogen only): | max. 90% of min. operating pressure |
| Admissible pressure ratio: | max. ≤ 4/1 |
| Operating temperature: | PVC: -10 +30°C PVDF, PP, PVC-C: -10 +40°C |
| Mounting: | horizontal or vertical with gas valve upwards |

Standard construction characteristics

| | |
|-----------------------|------------------------|
| Material of body: | PVC, PVC-C, PP or PVDF |
| Diaphragm: | according to fluid |
| Gas connection valve: | 5/8"UNF version 1 |
| Test: | on request |

Dimensioni • Dimensions • Abmessungen

| Tipo | Volume | Pressione | Attacco lato liquido | Valvola gas | A | ØB | ØD | Peso |
|-----------|-----------------|-----------|----------------------|--------------------------|-----|----|-----|---------|
| Type | | Pressure | P.F.C. | Gas valve | | | | Weight |
| | cm ³ | max bar | E | Tappo Plug Bouton Zapfen | mm | | | kg |
| APV 0.025 | 20 | 10 | 3/8" GAS | M28x1,5 • 5/8"UNF | 80 | - | 112 | 0,64 |
| APV 0.05 | 50 | 10 | 3/8" GAS | M28x1,5 • 5/8"UNF | 80 | - | 122 | 0,68 |
| APV 0.1 | 100 | 10 | 3/8" GAS | M28x1,5 • 5/8"UNF | 140 | - | 90 | 0,95 |
| APV 0.35 | 350 | 10 | 3/8" GAS | M28x1,5 • 5/8"UNF | 165 | - | 110 | 1,5 |
| Type | | Pression | Connection fluide | Valve pour Gaz | A | ØB | ØD | Poids |
| Type | Volume | Druck | Medium Anschluss | Gasventil | A | ØB | ØD | Gewicht |



Codice ricambi • Spare parts code

Code pièces de rechange • Ersatzteil Schlüssel

| Tipo | Membrana | Valvola gas | Serie guarnizioni |
|-----------|---------------|-------------------|-------------------|
| Type | Diaphragm | Gas valve | Gasket kit |
| APV 0.025 | MEMAPV0025* | VALPRE58X | - |
| APV 0.05 | MEMAPV005* | VALPRE58X | - |
| APV 0.1 | MEMAPV01* | VALPRE58X | - |
| APV 0.35 | MEMAPV035*NV1 | VALPRE58X | - |
| Type | Membrane | Valve de gonflage | Etanchéité |
| Type | Membran | Gasventil | Dichtungen |

* Secondo fluido - According to fluid - Selon fluide - Nach Medium

Accumulateur avec membrane remplaçable

Caractéristiques techniques

| | |
|---------------------------------|-----------------------------------------------------------------------------|
| Pression de travail: | max. 10 bar |
| Gonflage (uniquement azote): | max. 90% de la pression de travail inférieure |
| Rapport de pression admissible: | max. ≤ 4/1 |
| Temperature de travail: | PVC: -10 +30°C PVDF, PP, PVC-C: -10 +40°C |
| Montage: | indifférente horizontal ou vertical avec raccordement gaz vers dessus |

Caractéristiques constructives standard

| | |
|--------------------|------------------------|
| Corps: | PVC, PVC-C, PP ou PVDF |
| Membrane: | selon liquide |
| Valve de gonflage: | 5/8"UNF exécution 1 |
| Réception: | sur demande |

Druckspeicher mit Auswechselbarer Membran

Technische Angaben

| | |
|----------------------------|-------------------------------------------------------------------|
| Betriebsdruck: | max. 10 bar |
| Gasfüllung: | max. 90% vom min. Betriebsdruck (Ausschließlich Stickstoff) |
| Zugelassenes Druckverh.: | max. ≤ 4/1 |
| Betriebstemperaturbereich: | PVC: -10 +30°C PVDF, PP, PVC-C: -10 +40°C |
| Montage: | beliebig Waagrecht oder Senkrecht |

mit Gasventil nach oben

Standard Konstruktionsmerkmale

| | |
|---------------|-----------------------------|
| Gehäuse: | PVC, PVC-C, PP oder PVDF |
| Membran: | nach Medium |
| Gasanschluss: | 5/8"UNF Variante 1 |
| Abnahme: | Auf Anfrage |

APV type

Accumulatore a membrana sostituibile

Caratteristiche tecniche

Pressione di esercizio: max. 10 bar
 Precarica gas (solo azoto): max. 90% P min.di esercizio
 Rapporto pressione ammissa: max. $\leq 4/1$
 Temperatura di esercizio: PVC: -10 +30°C
 PVDF, PP, PVC-C: -10 +40°C
 Montaggio: orizzontale o verticale con valvola gas rivolta verso l'alto

Caratteristiche costruttive standard

Costruzione corpo: PVC, PVC-C, PP o PVDF
 Membrana: secondo fluido
 Valvola attacco gas: 5/8"UNF versione 1
 Collaudo: a richiesta

Accumulator with exchangeable diaphragm

Technical data

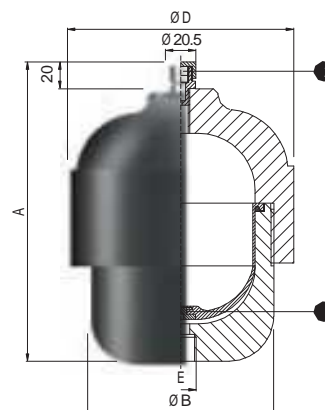
Operating pressure: max. 10 bar
 Gas filling (nitrogen only): max. 90% of min. operating pressure
 Admissible pressure ratio: max. $\leq 4/1$
 Operating temperature: PVC: -10 +30°C
 PVDF, PP, PVC-C: -10 +40°C
 Mounting: horizontal or vertical with gas valve upwards

Standard construction characteristics

Material of body: PVC, PVC-C, PP or PVDF
 Diaphragm: according to fluid
 Gas connection valve: 5/8"UNF version 1
 Test: on request

Dimensioni • Dimensions • Abmessungen

| Tipo | Volume | Pressione | Attacco lato liquido | Valvola gas | A | ØB | ØD | Peso |
|----------|-----------------|-----------|----------------------|--------------------------|-----|-----|-----|---------|
| Type | | Pressure | P.F.C. | Gas valve | | | | Weight |
| | cm ³ | max bar | E | Tappo Plug Bouton Zapfen | mm | | | kg |
| APV 0.5 | 500 | 10 | 1/2" GAS | M28x1,5 • 5/8"UNF | 185 | 105 | 132 | 1,85 |
| APV 0.75 | 750 | 10 | 1/2" GAS | M28x1,5 • 5/8"UNF | 203 | 125 | 152 | 2,4 |
| Type | | Pression | Connection fluide | Valve pour Gaz | | | | Poids |
| Typ | Volume | Druck | Medium Anschluss | Gasventil | A | ØB | ØD | Gewicht |



Codice ricambi • Spare parts code

Code pièces de rechange • Ersatzteil Schlüssel

| Tipo | Membrana | Valvola gas | Serie guarnizioni |
|----------|------------|-------------------|-------------------|
| Type | Diaphragm | Gas valve | Gasket kit |
| | 1 | 2 | |
| APV 0.5 | MEMAPV05* | VALPRE58X | - |
| APV 0.75 | MEMAPV075* | VALPRE58X | - |
| Type | Membrane | Valve de gonflage | Etanchéité |
| Typ | Membran | Gasventil | Dichtungen |

* Secondo fluido - According to fluid - Selon fluide - Nach Medium

Accumulateur avec membrane remplaçable

Caractéristiques techniques

Pression de travail: max. 10 bar
 Gonflage (uniquement azote): max. 90% de la pression de travail inférieure
 Rapport de pression admissible: max. $\leq 4/1$
 Temperature de travail: PVC: -10 +30°C
 PVDF, PP, PVC-C: -10 +40°C
 Montage: indifférente horizontal ou vertical avec raccordement gaz vers dessus

Caractéristiques constructives standard

Corps: PVC, PVC-C, PP ou PVDF
 Membrane: selon liquide
 Valve de gonflage: 5/8"UNF exécution 1
 Réception: sur demande

Druckspeicher mit Auswechselbarer Membran

Technische Angaben

Betriebsdruck: max. 10 bar
 Gasfüllung: max. 90% vom min. Betriebsdruck
 (Ausschließlich Stickstoff)
 Zugelassenes Druckverh: max. $\leq 4/1$
 Betriebstemperaturbereich: PVC: -10 +30°C
 PVDF, PP, PVC-C: -10 +40°C
 Montage: beliebig
 Waagrecht oder Senkrecht

mit Gasventil nach oben

Standard Konstruktionsmerkmale

Gehäuse: PVC, PVC-C, PP oder PVDF
 Membran: nach

Medium
 Gasanschluss: 5/8"UNF Variante 1
 Abnahme: Auf Anfrage

APV type

Accumulatore a membrana sostituibile

Caratteristiche tecniche

Pressione di esercizio: max. 10 bar
 Precarica gas (solo azoto): max. 90% P min.di esercizio
 Rapporto pressione ammessa: max. $\leq 4/1$
 Temperatura di esercizio: PVC: -10 +30°C
 PVDF, PP, PVC-C: -10 +40°C
 Montaggio: orizzontale o verticale con valvola gas rivolta verso l'alto

Caratteristiche costruttive standard

Costruzione corpo: PVC, PVC-C, PP o PVDF
 Membrana: secondo fluido
 Valvola attacco gas: 5/8"UNF versione 1
 Collaudo: a richiesta

Accumulator with exchangeable diaphragm

Technical data

Operating pressure: max. 10 bar
 Gas filling (nitrogen only): max. 90% of min. operating pressure
 Admissible pressure ratio: max. $\leq 4/1$
 Operating temperature: PVC: -10 +30°C
 PVDF, PP, PVC-C: -10 +40°C
 Mounting: horizontal or vertical with gas valve upwards

Standard construction characteristics

Material of body: PVC, PVC-C, PP or PVDF
 Diaphragm: according to fluid
 Gas connection valve: 5/8"UNF version 1
 Test: on request

Dimensioni • Dimensions • Abmessungen

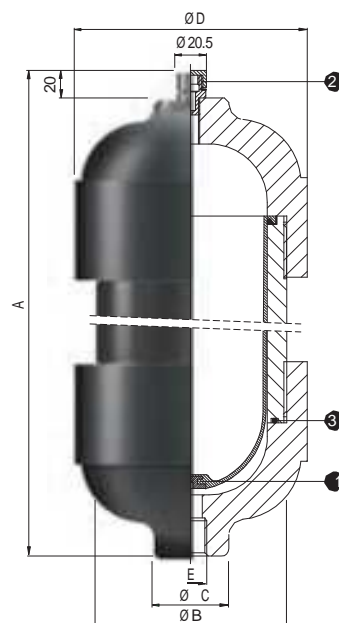
| Typo | Volume | Pressione | Attacco lato liquido | Valvola gas | A | ØB | ØC | ØD | Peso |
|---------|-----------------|-----------|----------------------|--------------------------|-----|-----|----|-----|---------|
| Type | | Pressure | P.F.C. | Gas valve | | | | | Weight |
| | cm ³ | max bar | E | Tappo Plug Bouton Zapfen | | mm | | | kg |
| APV 1.5 | 1500 | 10 | 1/2" GAS | M28x1,5 • 5/8"UNF | 319 | 125 | 50 | 152 | 2,5 |
| APV 3 | 3000 | 10 | 3/4" GAS | M28x1,5 • 5/8"UNF | 474 | 125 | 50 | 152 | 5,15 |
| APV 4 | 4000 | 10 | 1"1/4 GAS | M28x1,5 • 5/8"UNF | 360 | 195 | 80 | 230 | 6,85 |
| APV 5 | 5000 | 10 | 1"1/4 GAS | M28x1,5 • 5/8"UNF | 428 | 195 | 80 | 230 | 8,2 |
| Type | | Pression | Connection fluide | Valve pour Gaz | | | | | Poids |
| Typ | Volume | Druck | Medium Anschluss | Gasventil | A | ØB | ØC | ØD | Gewicht |

Codice ricambi • Spare parts code

Code pièces de rechange • Ersatzteil Schlüssel

| Typo | Membrana | Valvola gas | Serie guarnizioni |
|---------|------------|-------------------|-------------------|
| Type | Diaphragm | Gas valve | Gasket kit |
| | ① | ② | ③ |
| APV 1.5 | MEMAPV1.5* | VALPRE58X | OR4412 |
| APV 3 | MEMAPV3* | VALPRE58X | OR4412 |
| APV 4 | MEMAPV4* | VALPRE58X | OR4625 |
| APV 5 | MEMAPV5* | VALPRE58X | OR4625 |
| Type | Membrane | Valve de gonflage | Etanchéité |
| Typ | Membran | Gasventil | Dichtungen |

* Secondo fluido - According to fluid - Selon fluide - Nach Medium



Accumulateur avec membrane remplaçable

Caractéristiques techniques

Pression de travail: max. 10 bar
 Gonflage (uniquement azote): max. 90% de la pression de travail inférieure
 Rapport de pression admissible: max. $\leq 4/1$
 Temperature de travail: PVC: -10 +30°C
 PVDF, PP, PVC-C: -10 +40°C Montage: indifférente horizontal ou vertical avec raccordement gaz vers dessus

Caractéristiques constructives standard

Corps: PVC, PVC-C, PP ou PVDF
 Membrane: selon liquide
 Valve de gonflage: 5/8"UNF exécution 1
 Réception: sur demande

Druckspeicher mit Auswechselbarer Membran

Technische Angaben

Betriebsdruck: max. 10 bar
 Gasfüllung: max. 90% vom min. Betriebsdruck (Ausschließlich Stickstoff)
 Zugelassenes Druckverh: max. $\leq 4/1$
 Betriebstemperaturbereich: PVC: -10 +30°C
 PVDF, PP, PVC-C: -10 +40°C Montage: beliebig

Waagrecht oder Senkrecht mit Gasventil nach oben

Standard Konstruktionsmerkmale

Gehäuse: PV
 C, PVC-C, PP oder PVDF
 Membran:



KUNSTSTOF ACCUMULATOREN



APV type

Accumulatore a membrana sostituibile

Caratteristiche tecniche

| | |
|-----------------------------|-----------------------------------------------------------------|
| Pressione di esercizio: | max. 10 bar |
| Precarica gas (solo azoto): | max. 90% P min.di esercizio |
| Rapporto pressione ammissa: | max. ≤ 4/1 |
| Temperatura di esercizio: | PVC: -10 +30°C PVDF, PP, PVC-C: -10 +40°C |
| Montaggio: | orizzontale o verticale con valvola gas rivolta verso l'alto |

Caratteristiche costruttive standard

| | |
|----------------------|-----------------------|
| Costruzione corpo: | PVC, PVC-C, PP o PVDF |
| Membrana: | secondo fluido |
| Valvola attacco gas: | 5/8"UNF versione 1 |
| Collaudo: | a richiesta |

Accumulator with exchangeable diaphragm

Technical data

| | |
|------------------------------|--------------------------------------------------|
| Operating pressure: | max. 10 bar |
| Gas filling (nitrogen only): | max. 90% of min. operating pressure |
| Admissible pressure ratio: | max. ≤ 4/1 |
| Operating temperature: | PVC: -10 +30°C PVDF, PP, PVC-C: -10 +40°C |
| Mounting: | horizontal or vertical with gas valve upwards |

Standard construction characteristics

| | |
|-----------------------|------------------------|
| Material of body: | PVC, PVC-C, PP or PVDF |
| Diaphragm: | according to fluid |
| Gas connection valve: | 5/8"UNF version 1 |
| Test: | on request |

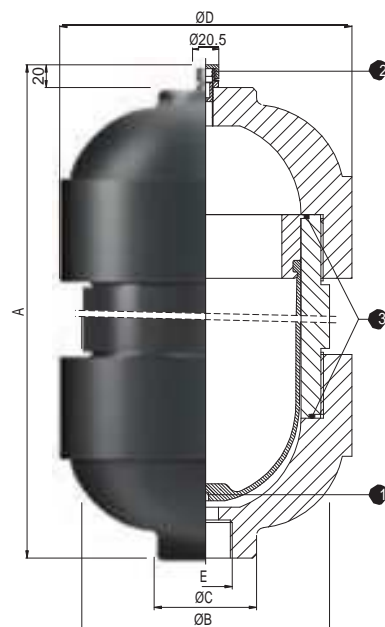
Dimensioni • Dimensions • Abmessungen

| Tipo | Volume | Pressione | Attacco lato liquido | Valvola gas | A | ØB | ØC | ØD | Peso |
|--------|-----------------|-----------|----------------------|--------------------------|-----|-----|----|-----|---------|
| Type | | Pressure | P.F.C. | Gas valve | | | | | Weight |
| | cm ³ | max bar | E | Tappo Plug Bouton Zapfen | | mm | | | kg |
| APV 10 | 10000 | 10 | 1"1/4 GAS | M28x1,5 • 5/8"UNF | 730 | 195 | 80 | 230 | 10,5 |
| APV 12 | 12000 | 10 | 1"1/4 GAS | M28x1,5 • 5/8"UNF | 830 | 195 | 80 | 230 | 18,8 |
| Type | | Pression | Connection fluide | Valve pour Gaz | | | | | Poids |
| Type | Volume | Druck | Medium Anschluss | Gasventil | A | ØB | ØC | ØD | Gewicht |

Codice ricambi • Spare parts code Code pièces de rechange • Ersatzteil Schlüssel

| Tipo | Membrana | Valvola gas | Serie guarnizioni |
|--------|-----------|-------------------|-------------------|
| Type | Diaphragm | Gas valve | Gasket kit |
| | ① | ② | ③ |
| APV 10 | MEMAPV10* | VALPRE58X | OR4625 |
| APV 12 | MEMAPV12* | VALPRE58X | OR4625 |
| Type | Membrane | Valve de gonflage | Etanchéité |
| Type | Membran | Gasventil | Dichtungen |

* Secondo fluido - According to fluid - Selon fluide - Nach Medium



Accumulateur avec membrane remplaçable

Caractéristiques techniques

| | |
|---------------------------------|-----------------------------------------------------------------------------|
| Pression de travail: | max. 10 bar |
| Gonflage (uniquement azote): | max. 90% de la pression de travail inférieure |
| Rapport de pression admissible: | max. ≤ 4/1 |
| Temperatura di esercizio: | PVC: -10 +30°C PVDF, PP, PVC-C: -10 +40°C |
| Montaggio: | indifferente horizontal ou vertical avec raccordement gaz vers dessus |

Caractéristiques constructives standard

| | |
|--------------------|------------------------|
| Corps: | PVC, PVC-C, PP ou PVDF |
| Membrane: | selon liquide |
| Valve de gonflage: | 5/8"UNF exécution 1 |
| Réception: | sur demande |

Druckspeicher mit Auswechselbarer Membran

Technische Angaben

| | |
|----------------------------------------------|-------------------------------------------------|
| Betriebsdruck: | max. 10 bar |
| Gasfüllung: | max. 90% vom min. |
| Betriebsdruck (Ausschließlich Stickstoff) | |
| Zugelassenes Druckverh: | max. ≤ 4/1 |
| Betriebstemperaturbereich: | PVC: -10 +30°C PVDF, PP, PVC-C: -10 +40°C |
| Montage: | beliebig |
| Waagrecht oder Senkrecht | |
| | mit Gasventil nach oben |

Standard Konstruktionsmerkmale

| | |
|----------|------------------------|
| Gehäuse: | PV |
| | C, PVC-C, PP oder PVDF |
| Membran: | na |



KUNSTSTOF ACCUMULATOREN



As HANSA-TMP has a very extensive range of products and some products have a variety of applications, the information supplied may often only apply to specific situations.

If the catalogue does not supply all the information required, please contact HANSA-TMP.

In order to provide a comprehensive reply to queries we may require specific data regarding the proposed application.

Whilst every reasonable endeavour has been made to ensure accuracy, this pub-

| | | | |
|--|-----------------------------|------|------------------------------------------------------------------|
| | Dutch Hydraulic Consultants | Tel. | +31-(0)6-83695868 |
| | Achterweg ZZ 8 | Mail | info@dhc-hydraulic.nl |
| | 3216AB Abbenbroek | Web | www.dhc-hydraulic.nl |