



NH 47





Oversichtsblad /

for NH 46/47 cylinder

Übersicht /

für NH 46/47 Zylinder

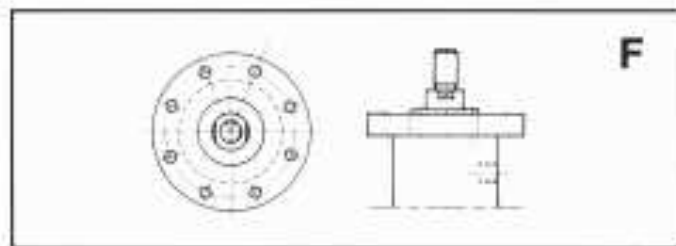
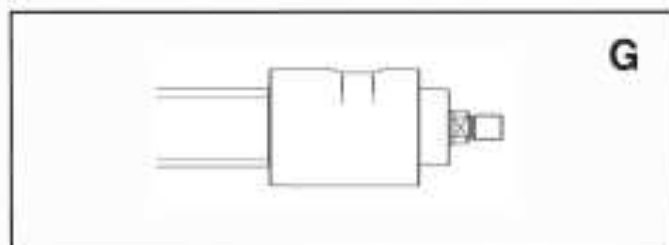
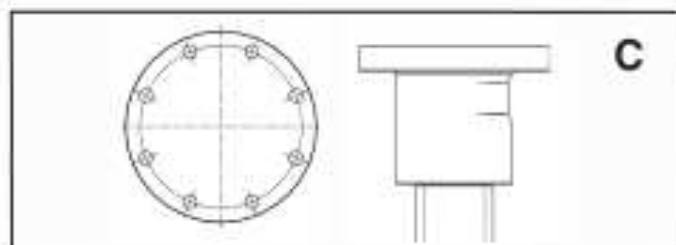
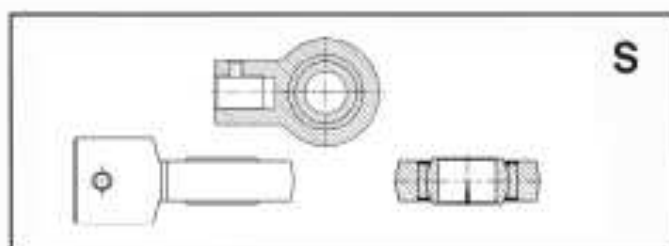
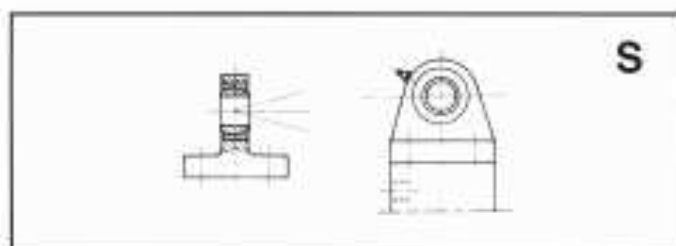
Design features

for NH 46/47 cylinder



* Grundtyper/
Zylinderbefestigung/
Basic types

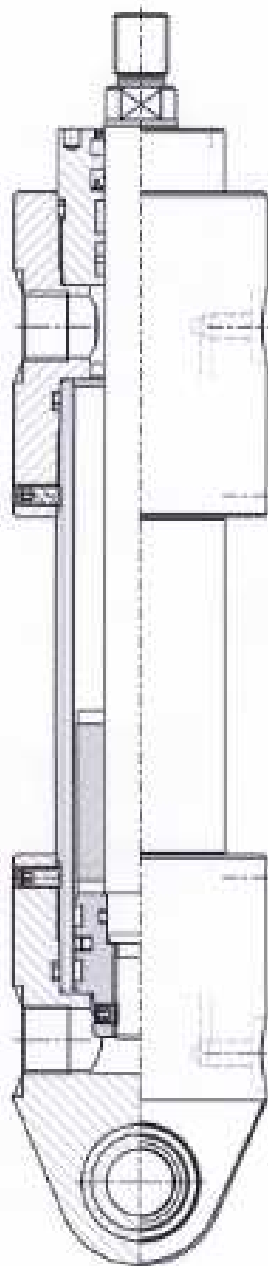
Stempelstangsophæng/
Kolbenstangenbefestigung/
Piston rod mounting





Technical specifications

NH47 For water



General:

NH 47 is a double acting hydraulic cylinder.
Application: Primarily industrial hydraulics and similar heavy-duty operation.
Bore from \varnothing 32 to \varnothing 100 mm.

Construction:

(See sketch).

Cylinder Tube:

Solid-drawn stainless acidproof steel tube.
Honed to Ra max. 0,3 μ m.
Internal tolerance H9.

Piston rod:

Centerless ground stainless acidproof steel, which is Hard-chrome plated min. 20 μ m.
Hardness: min. 850 HV.
Ra max. 0,3 μ m.
External tolerance h9.

Seals:

(Recognized manufactures).

Mountings:

The following mountings can be screwed onto the NH 47 basic cylinder:

Cylinder

F Front flange

C Bottom flange

S Spherical eye

Piston rod:

S Spherical eye

G Thread

The above can be used in any combination.

All building dimensions conform to ISO 6020/1.

The cylinder can be supplied with adjustable cushioning in both ends.

Connections:

Cylindrical BSP thread,
according DIN 3852: Teil 2. novb. 1991

Operation pressure:

Design pressure: max. 70 bar.

Piston velocity:

Max. piston velocity: 0,2 m/s.
For higher velocities use special seals.

Operating temperature:

Temperature range: +1° C to +50° C.
For higher/lower temperatures use special seals.

Pressure medium:

Water.

Test:

The cylinders are pressure tested at 105 bar and tested for proper function before leaving the factory.

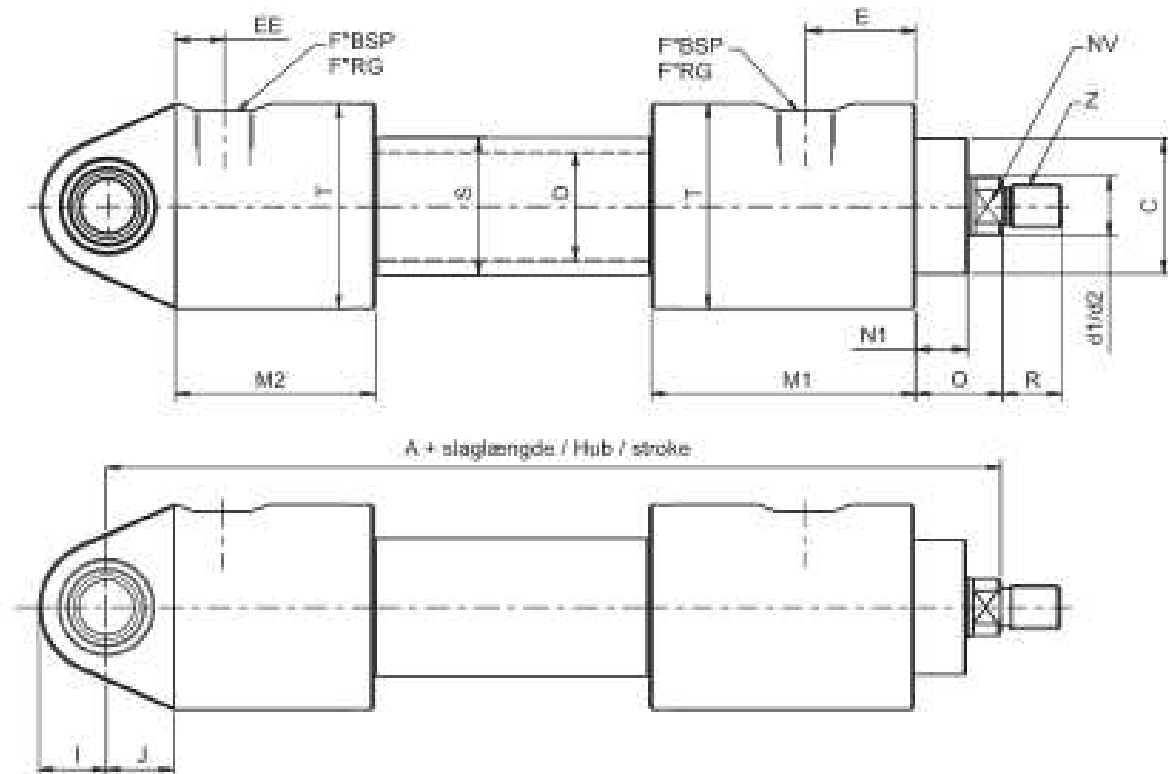
Order code:

See specification form 14.

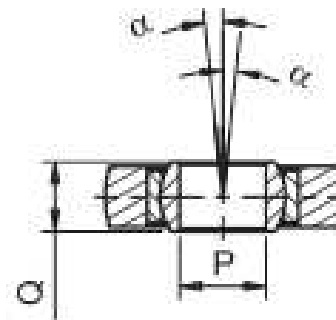




Målskitse / Maßblatt / Dimension sketch NH46/47-S



NH 47: Til vand
Für Wasser
For Water



Lind Jensens Maskinfabrik A/S
Kroghusvej 7, Højmark
DK-6940 Lem St. • Denmark
Home page: www.ljm.dk



Hydraulik



Målskema / Maßtabelle / Dimension table

NH46/47-S

Index \ D	32	40	50	63	80	100
A	206	231	257	289	332	395
d1/d2	18/22	22/28	28/36	36/45	45/56	56/70
C (fB)	40	50	60	70	85	106
E	36	40,5	43	48	53	67
EE	16	18	18	22	22	40
F	3/8"	1/2"	1/2"	3/4"	3/4"	1"
I	20	25	32	40	50	63
J	20	25	32	40	50	63
M1	86	98	104	111	126	150
M2	66	74	81	91	100	123
N1	19	19	24	29	36	37
NV (d1)	14	17	22	28	36	46
NV (d2)	17	22	28	36	46	60
O	32	32	38	45	54	57
P	15	20	25	30	40	50
Q	12	16	20	22	28	35
R (d1)	18	22	28	36	45	56
R (d2)	22	28	36	45	56	63
S	41	51	65	78	98	122
T	67	76	83	98	118	138
Z (d1)	M14x1,5	M16x1,5	M20x1,5	M27x2	M33x2	M42x2
Z (d2)	M16x1,5	M20x1,5	M27x2	M33x2	M42x2	M48x2
α	Min. 5	Min. 5	Min. 5	Min. 5	Min. 5	Min. 5
1*	20	20	30	35	35	43

1* Min. slaglængde for NH 46/47 med dæmpning.

1* Min. Hub für NH 46/47 mit Dämpfung.

1* Min. stroke for NH 46/47 with damping.

Alla angivna mått är i (mm). Rett til ændringer forbeholdes.

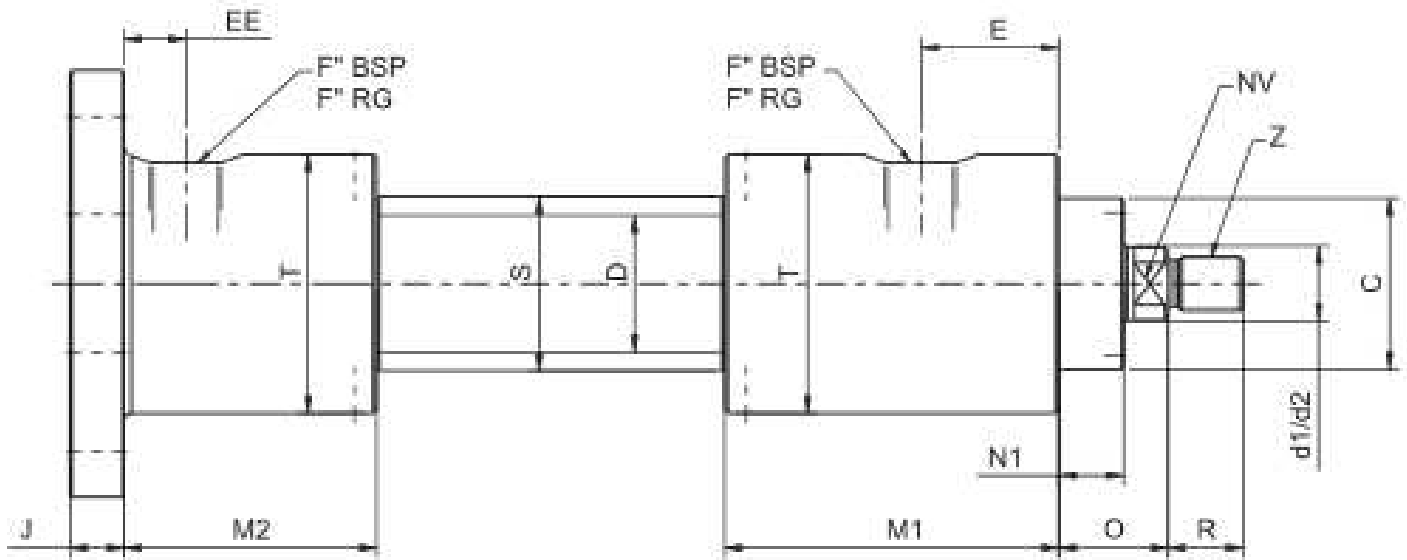
Alla angegebene Maße sind in (mm). Wir behalten uns das Recht auf Änderungen vor.

Unless otherwise specified, all dimensions are in (mm). Right to alterations reserved.

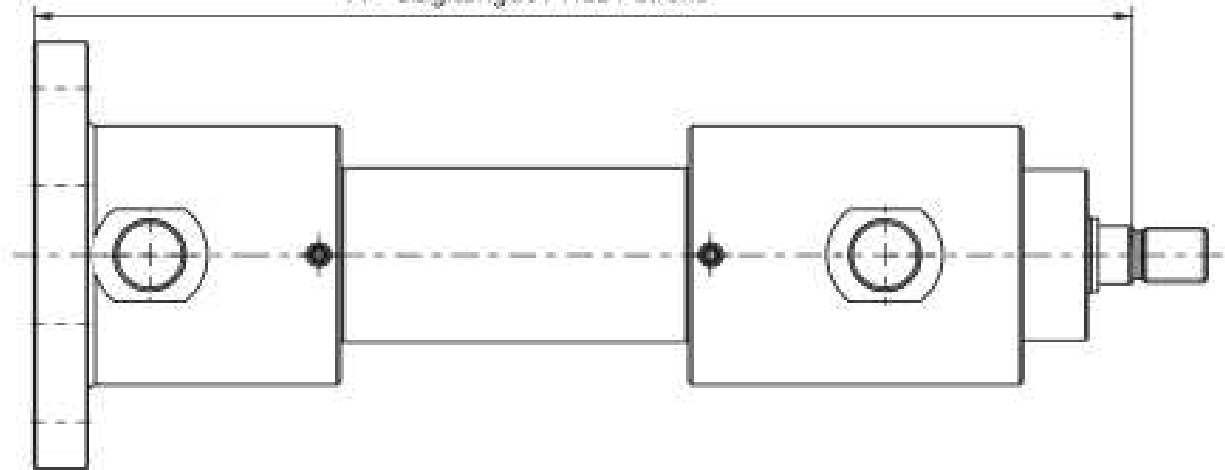




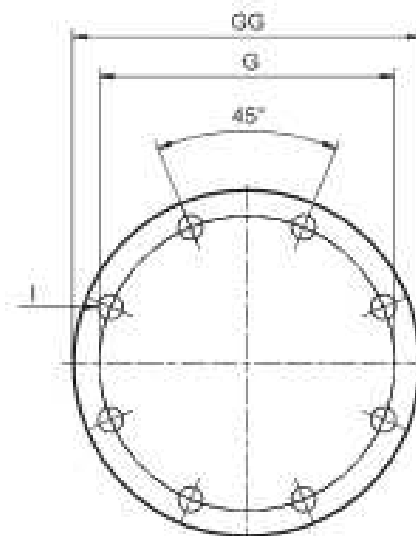
Målskitse / Maßblatt / Dimension sketch NH46/47-C



A + slaglængde / Hub / stroke



NH 47: Til vand
Für Wasser
For Water





Målskema / Maßtabelle / Dimension table

NH46/47-C

Index \ D	32	40	50	63	80	100
A	202	222	245	274	314	364
d1/d2	18/22	22/28	28/36	36/45	45/56	56/70
C (f8)	40	50	60	70	85	108
E	36	40,5	43	49	53	67
EE	16	18	18	22	22	40
F	3/8"	1/2"	1/2"	3/4"	3/4"	1"
G	92	106	126	145	165	200
GG	110	125	150	170	195	240
I	9	9	11	14	18	22
J	16	16	20	25	32	32
M1	86	98	104	111	126	150
M2	66	74	81	91	100	123
N1	19	19	24	28	36	37
NV (d1)	14	17	22	28	36	46
NV (d2)	17	22	28	36	46	60
O	32	32	36	45	54	57
R (d1)	18	22	28	36	45	56
R (d2)	22	28	36	45	56	63
S	41	51	65	78	98	122
T	67	76	83	98	118	138
Z (d1)	M14x1,5	M16x1,5	M20x1,5	M27x2	M33x2	M42x2
Z (d2)	M16x1,5	M20x1,5	M27x2	M33x2	M42x2	M48x2
1*	20	20	30	35	35	43

1* Min. slaglængde for NH 46/47 med dæmpning.

1* Min. Hub für NH 46/47 mit Dämpfung.

1* Min. stroke for NH 46/47 with damping.

Alle angivelser er i (mm). Ret til ændringer forbeholdes.

Alle angegebenen Maße sind in (mm). Wir behalten uns das Recht auf Änderungen vor.

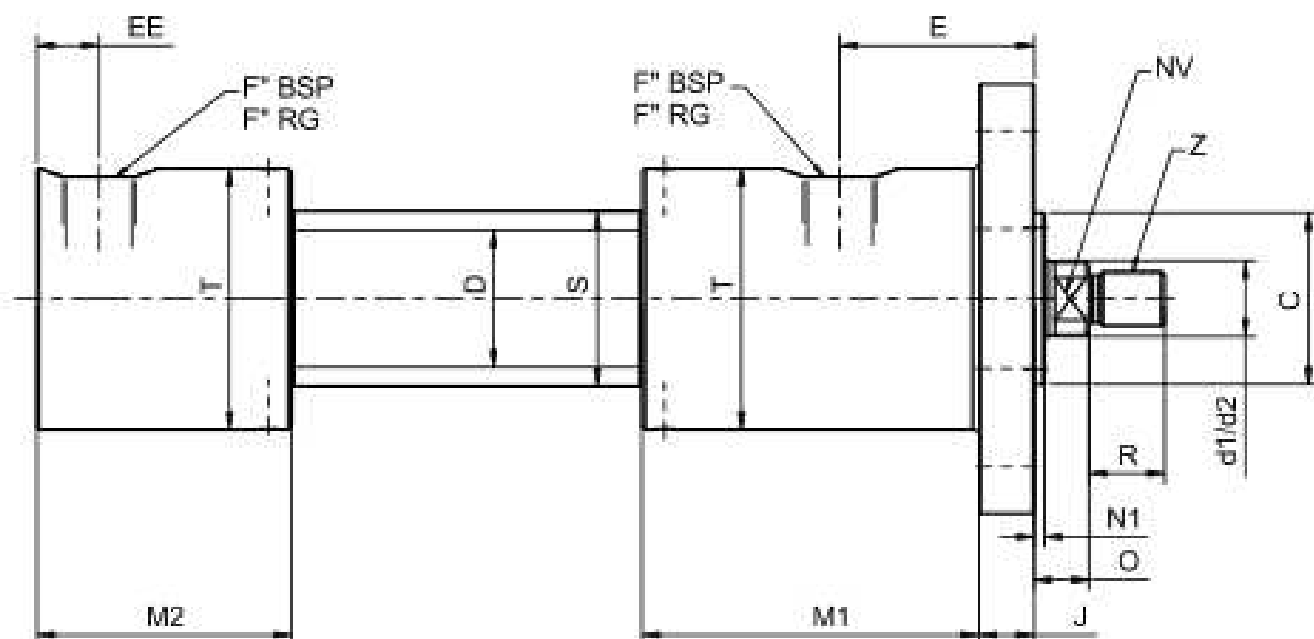
Unless otherwise specified, all dimensions are in (mm). Right to alterations reserved.



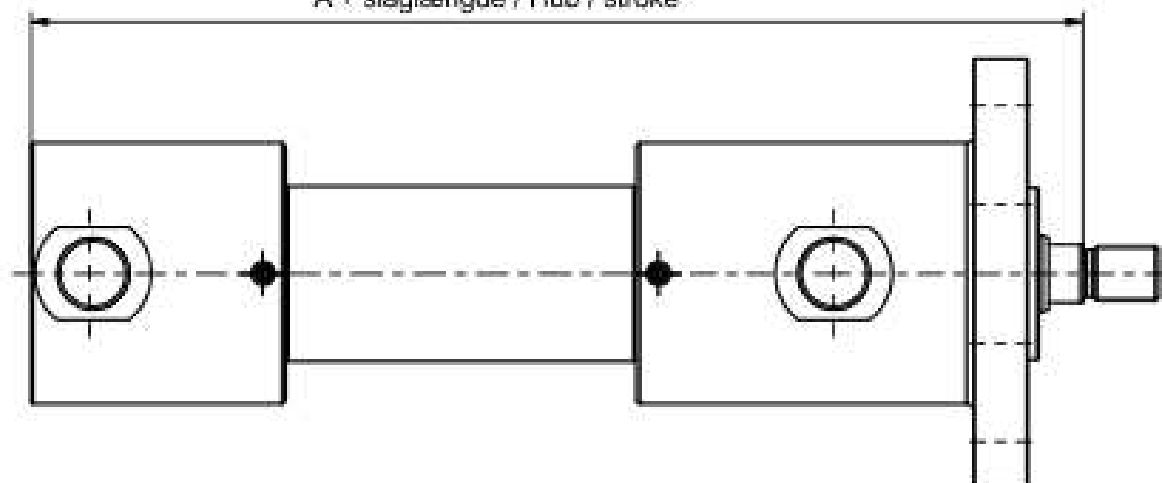


Målskitse / Maßblatt / Dimension sketch

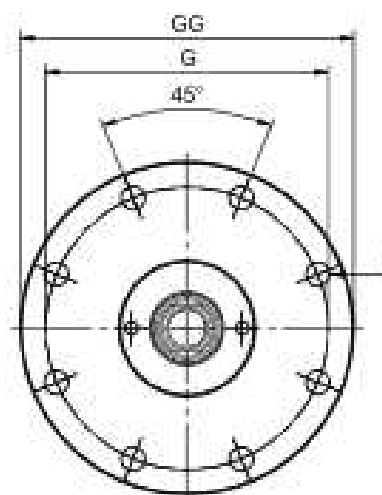
NH46/47-F



A + slaglængde / Hub / stroke



NH 47: Til vand
Für Wasser
For Water





Målskema / Maßtabelle / Dimension table

NH46/47-F

Index \ D	32	40	50	63	80	100
A	186	206	225	249	262	332
d1/d2	18/22	22/28	28/36	36/45	45/56	56/70
C (f8)	40	50	60	70	85	106
E	52	56,5	63	74	85	99
EE	16	18	18	22	22	40
F	3/8"	1/2"	1/2"	3/4"	3/4"	1"
G	92	106	126	145	165	200
GG	110	125	150	170	195	240
I	9	9	11	14	18	22
J	16	16	20	25	32	32
M1	86	98	104	111	126	150
M2	66	74	81	91	100	123
N1	3	3	4	4	4	5
NV (d1)	14	17	22	28	36	46
NV (d2)	17	22	28	36	46	60
O	16	16	18	20	22	25
R (d1)	18	22	28	36	45	56
R (d2)	22	28	36	45	56	63
S	41	51	65	78	98	122
T	67	76	83	98	118	138
Z (d1)	M14x1,5	M16x1,5	M20x1,5	M27x2	M33x2	M42x2
Z (d2)	M16x1,5	M20x1,5	M27x2	M33x2	M42x2	M48x2
1*	20	20	30	35	35	43

1* Min. slaglængde for NH 46/47 med dæmpning

1* Min. Hub für NH 46/47 mit Dämpfung

1* Min. stroke for NH 46/47 with damping

Alle angivne mål er i (mm). Ret til ændringer forbeholdes.

Alle angegebenen Maße sind in (mm). Wir behalten uns das Recht auf Änderungen vor.

Unless otherwise specified, all dimensions are in (mm). Right to alterations reserved.

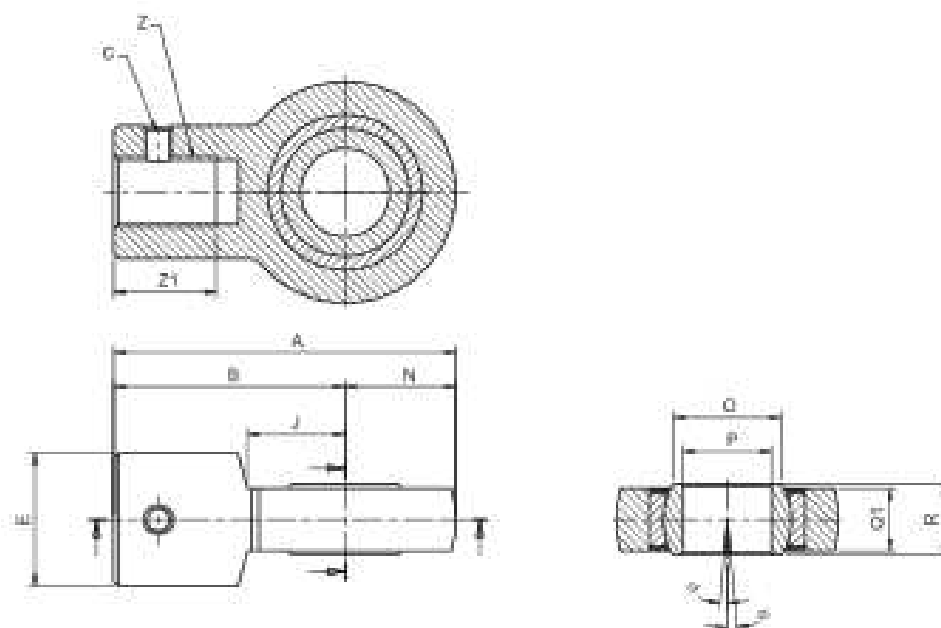




Ledlejhoved for rustfri cylindertype NH 46/47

Gelenklagerkopf für rostfreien Zylindertyp NH 46/47

Spherical bearing head for stainless cylinder model NH 46/47



Ledlejhoved passer til alle NH 46/47 cylindre med gevind på stempelstang

Gelenklagerkopf passend zu allen NH 46/47 Zylindern mit Gewinde an der Kolbenstange

The spherical bearing head fits all NH 46/47 cylinders with threaded piston rod

Index \ d	18	22	28	36	45	56
A	64	77	97	120	147	183
B	44	52	65	80	97	120
C	M6x1	M6x1	M6x1	M6x1	M6x1	M6x1
E	25	30	38	45	60	74
J	18	22	27	34	41	52
N	20	25	32	40	50	63
O	18	24	29	34	45	56
P	15	20	25	30	40	50
Q1	11	14	18	20	24	30
R	12	16	20	22	28	35
Z	M14x1,5	M16x1,5	M20x1,5	M27x2	M33x2	M42x2
Z1	19	23	29	37	46	57
α	Min. 5	Min. 5	Min. 5	Min. 5	Min. 5	Min. 5





Specificikation form 14

Order code NH 47/46

Stainless steel hydraulik cylinder

NH 47 water
NH 46 oil -X-X-X-D/d x L-X-X-X-X-()

Model: _____

Design no.: _____

Basic types: _____

- Blank: No mounting
- S: Spherid bearing
- C: Bottom flange
- F: Front flange

Function: _____

- D: Double acting
- E: Single acting, compressive
- E: Single acting, tractive

Bore: _____

Piston rod diameter: _____

Stroke: _____

- Digit: Length of spacer bush
- Digit: in () = piston rod extension

*Special seals:

- TN: Teflon
- TV: Teflon- viton

*B: Damping in bottom

*T: Damping in top

Piston rod mounting:

- S: Spherid bearing
- G: Thread
- Blank: Piston rod without mounting

* Special seals to be used under extreme conditions, i.e. where pressure, velocities, Temperature and pressure media fall outside the technical specifications. Ask the adviser for guidance.





Anvendelse / Use / Anwendung

NH 46/47 + NH 54/55



LJM

Hydraulik

Document 10000082172 - Version 00 - 201102



Dutch Hydraulic Consultants	Tel.	+31-(0)6-83695868
Achterweg ZZ 8	Mail	info@dhc-hydraulic.nl
3216AB Abbenbroek	Web	www.dhc-hydraulic.nl
Nederland		