



NH 54



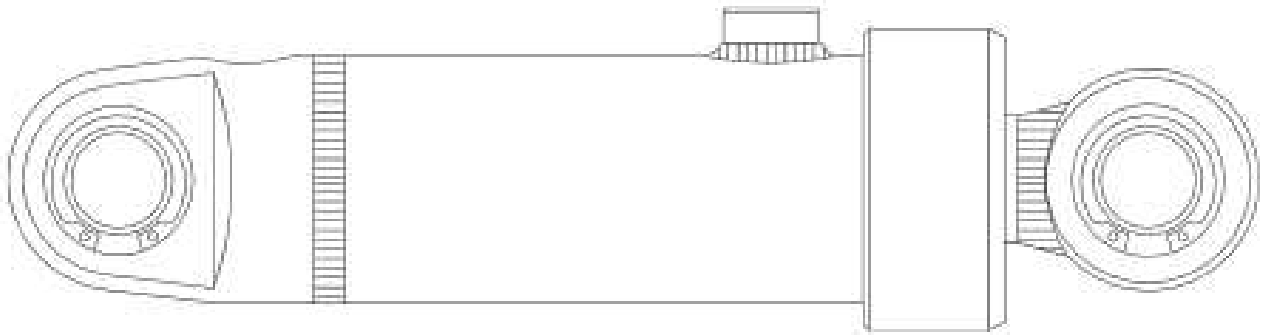


Oversichtsblad / Übersicht / Design features

for NH 54/55 cylinder

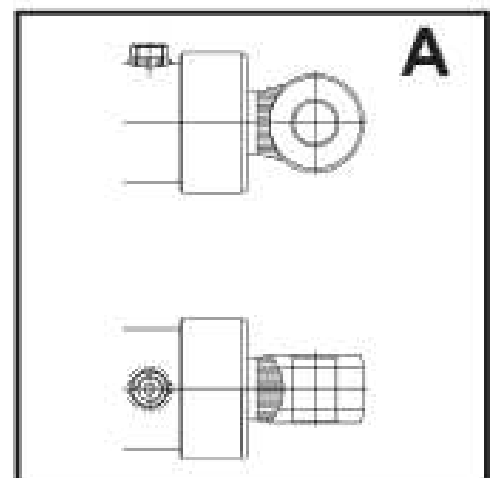
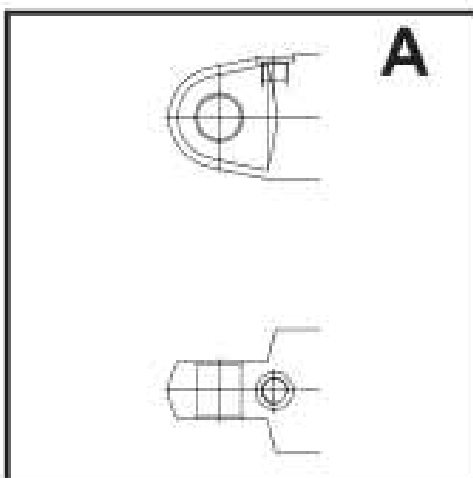
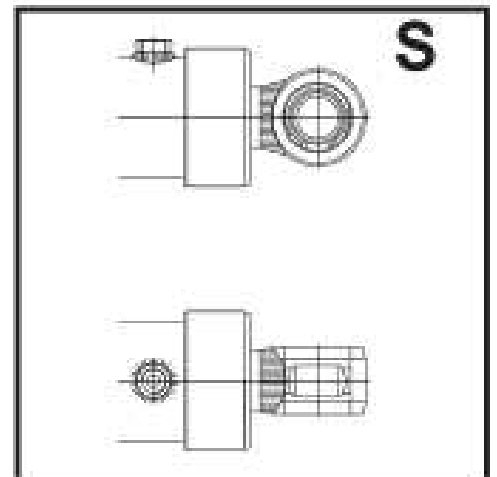
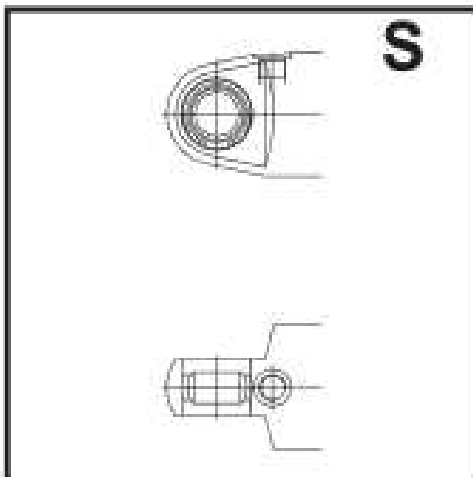
für NH 54/55 Zylinder

for NH 54/55 cylinder



* Grundtyper/
Zylinderbefestigung/
Basic types

Stempelstangsophæng/
Kolbenstangenbefestigung/
Piston rod mounting



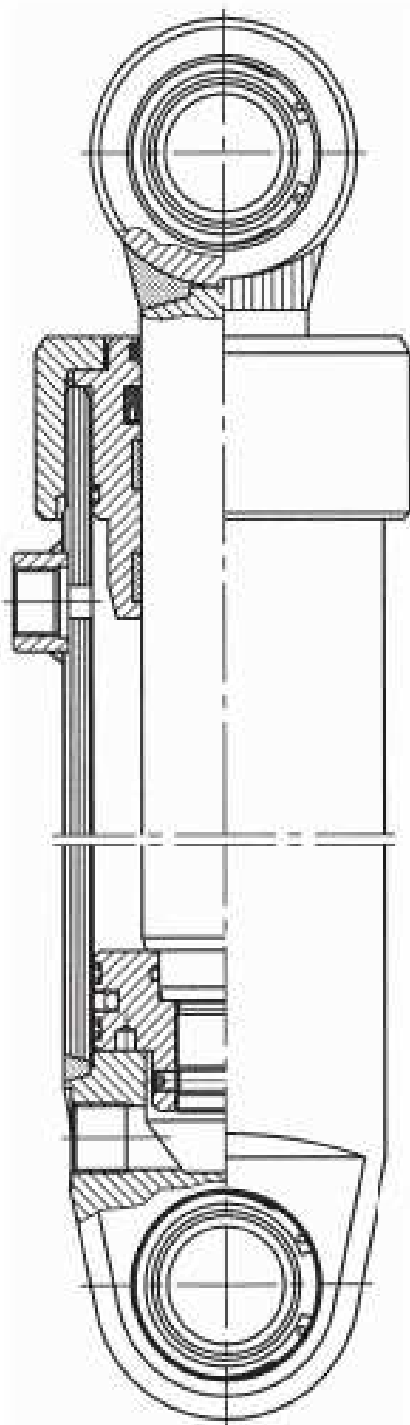
LJM

Hydraulik



Technical specifications

NH54 For oil



General:

NH 54 is a double acting stainless acidproof hydraulic cylinder. Bore from $\varnothing 25$ - $\varnothing 160$ mm.

Construction:

(See sketch).

Cylinder tube:

Stainless acidproof steel tube.

Inner surface Ra max. $0,4 \mu\text{m}$.

With tolerance H 9.

Piston rod:

Centerless ground stainless acid-proof steel, wich is hard-chrome plated min. $20 \mu\text{m}$.

Hardness: min. 850 HV.

Ra. max. $0,3 \mu\text{m}$.

External tolerance h9.

Seals:

(See packing guidance)

Mountings:

A Fixed eyes at both ends.

S Spherical eyes at both ends.

G Thread.

Connections:

Cylindrical BSP thread, threaded length corresponding to standard fittings.

Operation pressure:

Operation pressure: Max. 210 bar.

Piston velocity:

Max. piston velocity: $0,3 \text{ m/s}$.

Operating temperature:

Temperature range:

+ 20°C to + 100°C .

Pressure medium:

Hydraulic oil on mineral oil base.

Test:

The cylinders are tested to 310 bar.

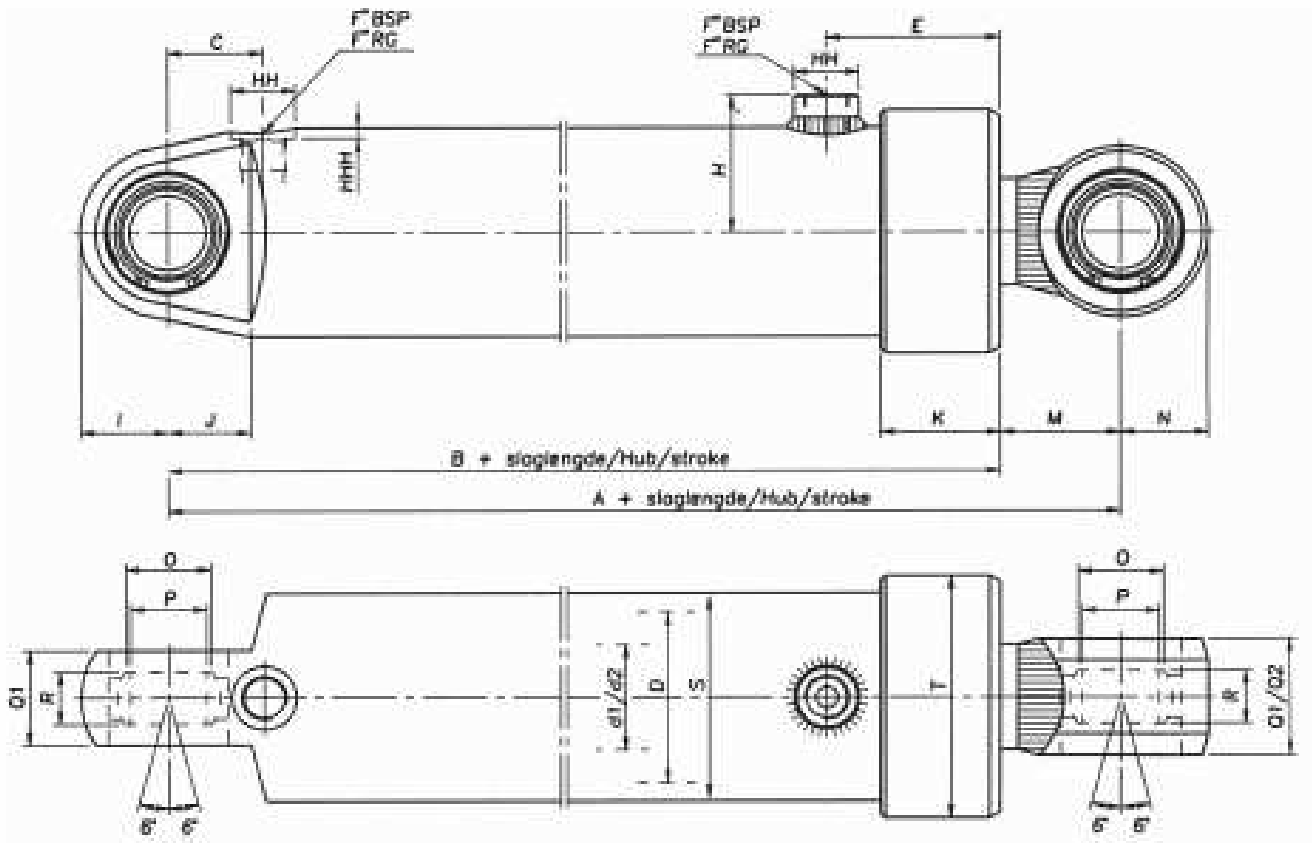
Order code:

See specification form 12.

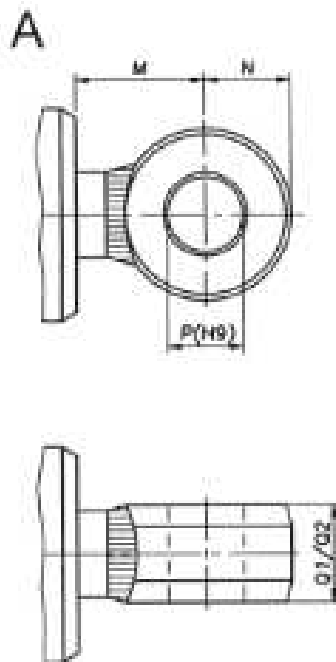




Målskitse / Maßblatt / Dimension sketch NH54/55-S



Stempelstangsophæng/Kolbenstangenbefestigung/Piston rod mounting





Målskema / Maßtabelle / Dimension table

NH54/55-S

Index \ D	25	32	40	50	63	80	100	125	140	160
A	170	170	185	205	225	240	280	320	400	450
B	137,5	135	140	165,5	180	185	205	235	300	335
d1/d2	12/16	16/20	20/25	25/35	30/40	40/50	50/65	65/80	70/90	80/100
C	30	27	31	42,5	40	44	45	78	81	88
E	48	46,5	54,5	66,5	74	80	84,5	90	112	140
F	1/4"	1/4"	3/8"	3/8"	1/2"	1/2"	3/4"	3/4"	1"	1"
H	30	34	40	47	54	64	81	95	111	122
HH	20	20	25	25	30	30	40	40	50	50
I	17,5	20	25	30	35	40	52	65	77,5	85
J	15	20	25	25	30	38	48	55	75	80
K	33	33	37	47,5	45	55	60	63	75	82
M	32,5	35	45	39,5	45	55	75	85	100	115
M1	35	35	45	39,5	45	55	75	85	100	115
N	17,5	20	25	30	35	40	50	65	80	85
N2	24	24	25	30	35	40	50	65	75	85
O	15	18	24	29	34	39	50	66	77	77
P	12	15	20	25	30	35	45	60	70	70
Q1/Q2	15/20	20/25	25/30	30/40	35/45	45/55	55/70	70/85	75/95	85/105
R	10	12	16	20	22	25	32	44	49	49
S	33	41	51	65	78	98	122	152	170	193
T	41	52	61	80	95	114	137	172	188	221
Z	M12x1,25	M14x2	M16x2	M22x2	M24x2	M36x2	M42x2	M52x2	M56x2	M70x2
NV	10/13	13/17	17/19	22/27	24/32	36/42	46/50	55/60	60/80	70/90
HHH	2,7	2,7	2,5	2,1	2,5	2,5	3	3	3,5	3,5

Alle angivne mål er i (mm). Ret til ændringer forbeholdes.

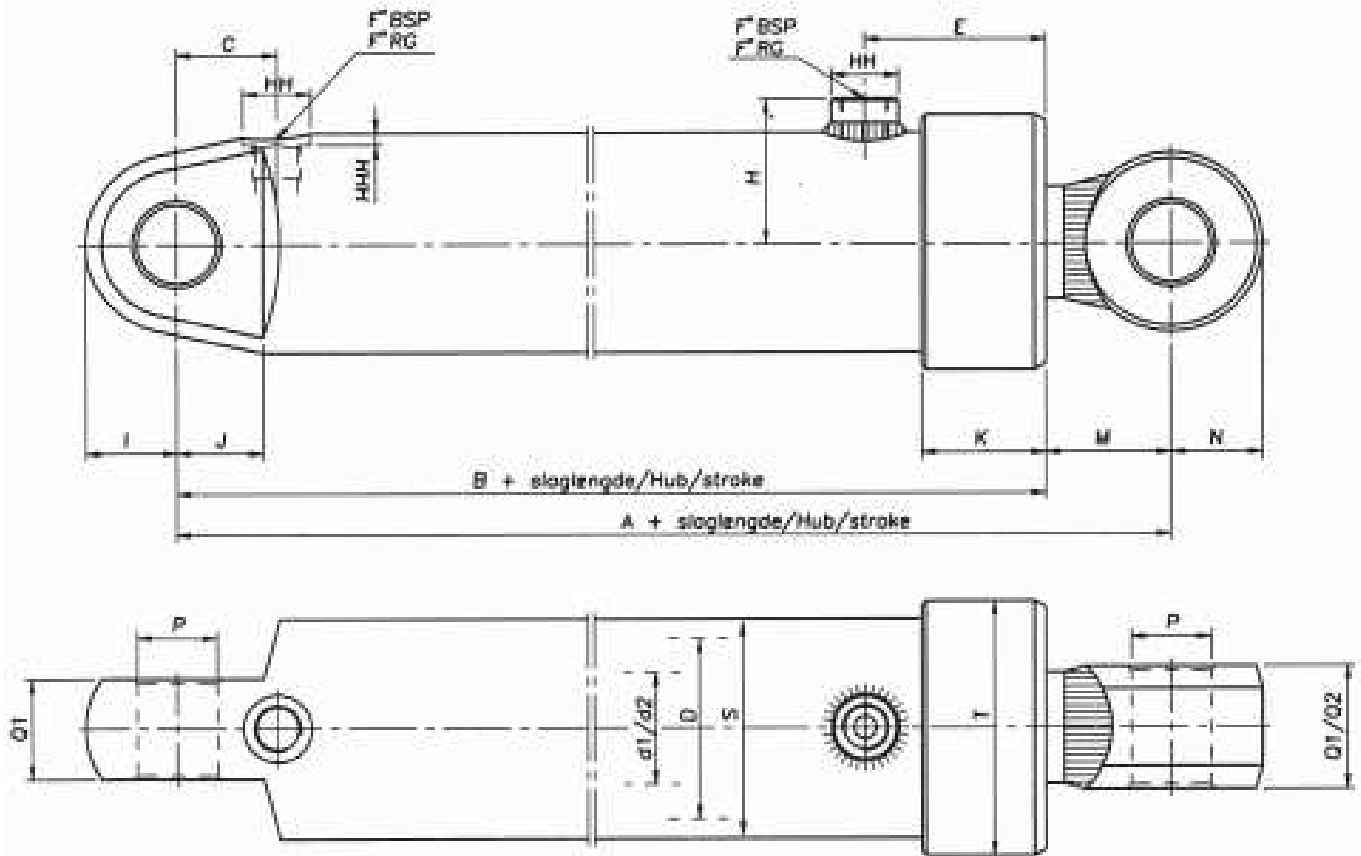
Alle angegebenen Maße sind in (mm). Wir behalten uns das Recht auf Änderungen vor.

Unless otherwise specified, all dimensions are in (mm). Rights to alterations reserved.

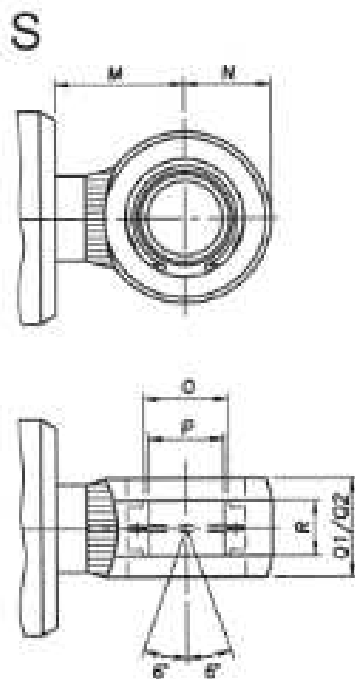




Målskitse / Maßblatt / Dimension sketch NH54/55-A



Stempelstangsophæng/Kolbenstangenbefestigung/Piston rod mounting





Målskema / Maßtabelle / Dimension table

NH54/55-A

Index \ D	D										
	25	32	40	50	63	80	100	125	140	160	
A	170	170	185	205	225	240	280	320	400	450	
B	137,5	135	140	165,5	180	185	205	235	300	335	
d1/d2	12/16	16/20	20/25	25/35	30/40	40/50	50/65	65/80	70/90	80/100	
C	30	27	31	42,5	40	44	45	78	81	88	
E	48	46,5	54,5	66,5	74	80	84,5	90	112	140	
F	1/4"	1/4"	3/8"	3/8"	1/2"	1/2"	3/4"	3/4"	1"	1"	
H	30	34	40	47	54	64	81	95	111	122	
HH	20	20	25	25	30	30	40	40	50	50	
I	17,5	20	25	30	35	40	52	65	77,5	85	
J	15	20	25	25	30	38	48	55	75	80	
K	33	33	37	47,5	45	55	60	63	75	92	
M	32,5	35	45	39,5	45	55	75	85	100	115	
M1	35	35	45	39,5	45	55	75	85	100	115	
N	17,5	20	25	30	35	40	50	65	80	85	
N2	24	24	25	30	35	40	50	65	75	85	
O	15	18	24	29	34	39	50	66	77	77	
P	12	15	20	25	30	35	45	60	70	70	
Q1/Q2	15/20	20/25	25/30	30/40	35/45	45/55	55/70	70/85	75/95	85/105	
R	10	12	16	20	22	25	32	44	49	49	
S	33	41	51	65	78	98	122	152	170	193	
T	41	52	61	80	95	114	137	172	188	221	
Z	M12x1,25	M14x2	M16x2	M22x2	M24x2	M36x2	M42x2	M52x2	M56x2	M70x2	
NV	10/13	13/17	17/19	22/27	24/32	36/42	46/50	55/60	60/80	70/90	
HHH	2,7	2,7	2,5	2,1	2,5	2,5	3	3	3,5	3,5	

Alle angegebene Maß in (mm). Rest für Änderungen vorbehalten.

Alle angegebenen Maße sind in (mm). Wir behalten uns das Recht auf Änderungen vor.

Unless otherwise specified, all dimensions are in (mm). Rights to alterations reserved.





Spezifikation form 12

Order code NH 54/55

Stainless steel hydraulik cylinder

NH 54 Oil
NH 55 Water -X-X-D/d x L-X-X

Model:

Basic types:

- Blank: No mounting
- S: Spherical bearing
- C: Bottom flange
- F: Front flange
- V: Trunnion mounting

Function:

- D: Double acting
- E_c: Single acting, compressive
- E_t: Single acting, tractive

Bore:

Piston rod diameter:

Stroke:

Digit: Length of spacer bush
Digit: in () = piston rod extension

Piston rod mounting:
A: fixed bearing
S: spherical bearing





Anvendelse / Use / Anwendung

NH 46/47 + NH 54/55



LJM

Hydraulik



Dutch Hydraulic Consultants	Tel.	+31-(0)6-83695868
Achterweg ZZ 8	Mail	info@dhc-hydraulic.nl
3216AB Abbenbroek	Web	www.dhc-hydraulic.nl
Nederland		