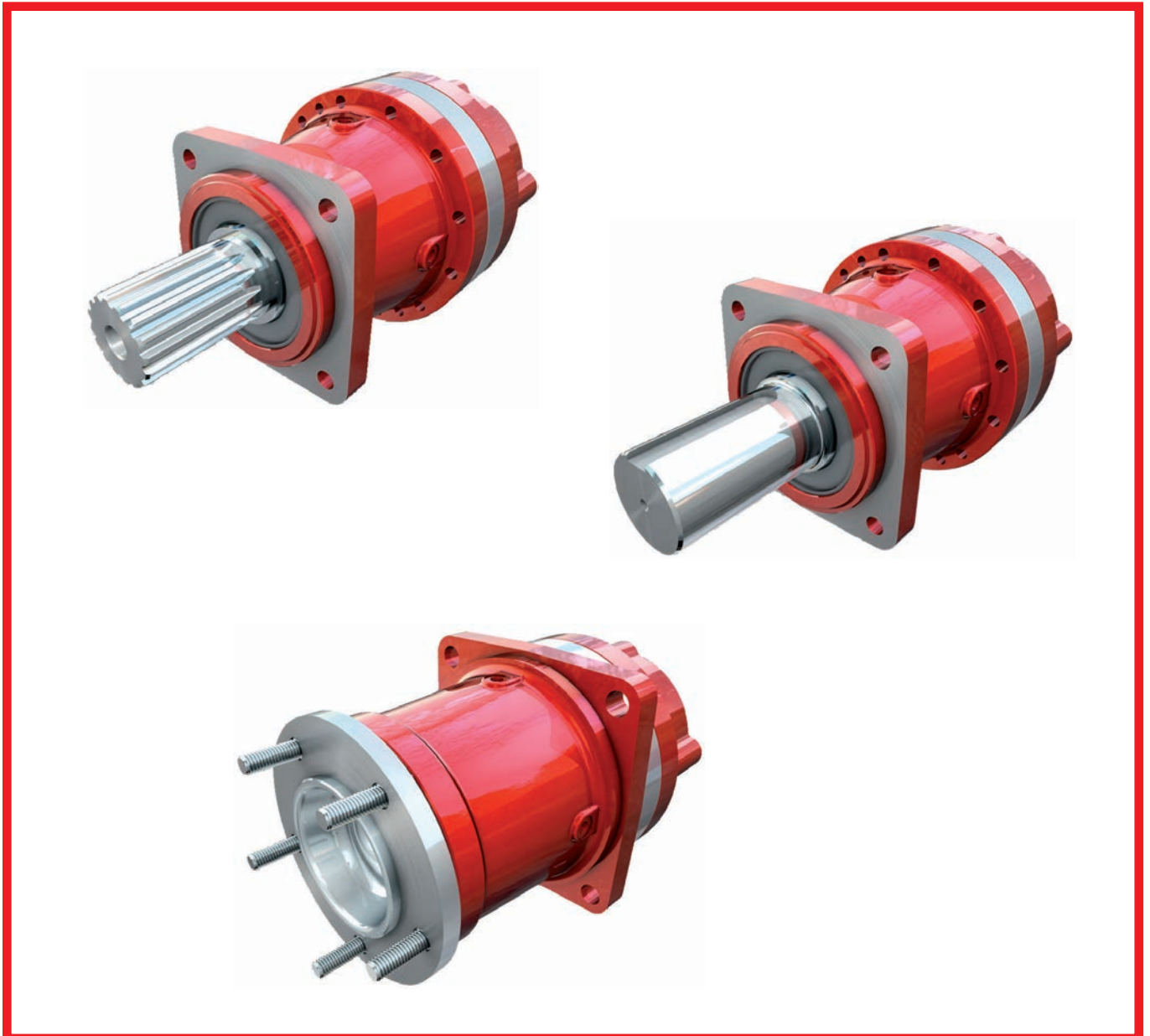




**MANUFACTURING**  
THE PRODUCTION LINE OF HANSA-TMP

HT 58 / E / 101 / 1011 / E / V

# Planetary Gear Reducers 900 Series



**TECHNICAL DATA 900 SERIES**

**Ratio:** 4.4 - 5.25 : 1 (Other ratios available upon request)

**Max speed input:** 3500 RPM

**Torque ratings:**

**Continuous**

4.000 Nm

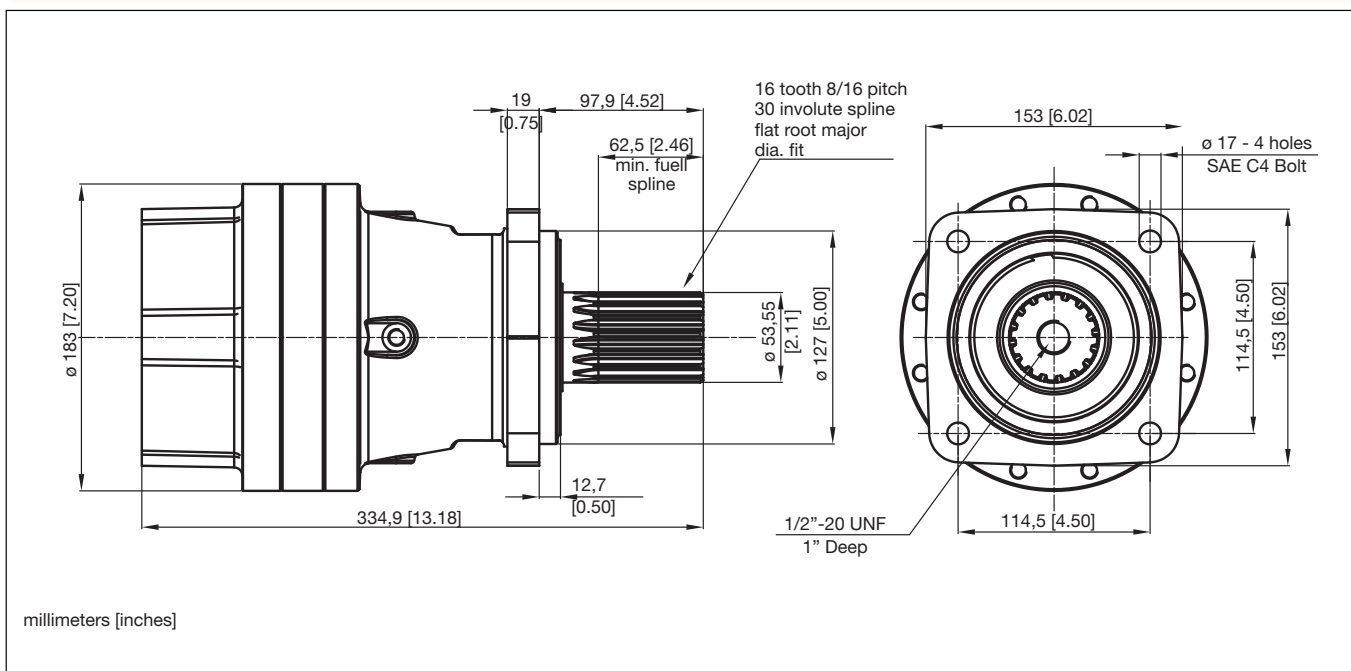
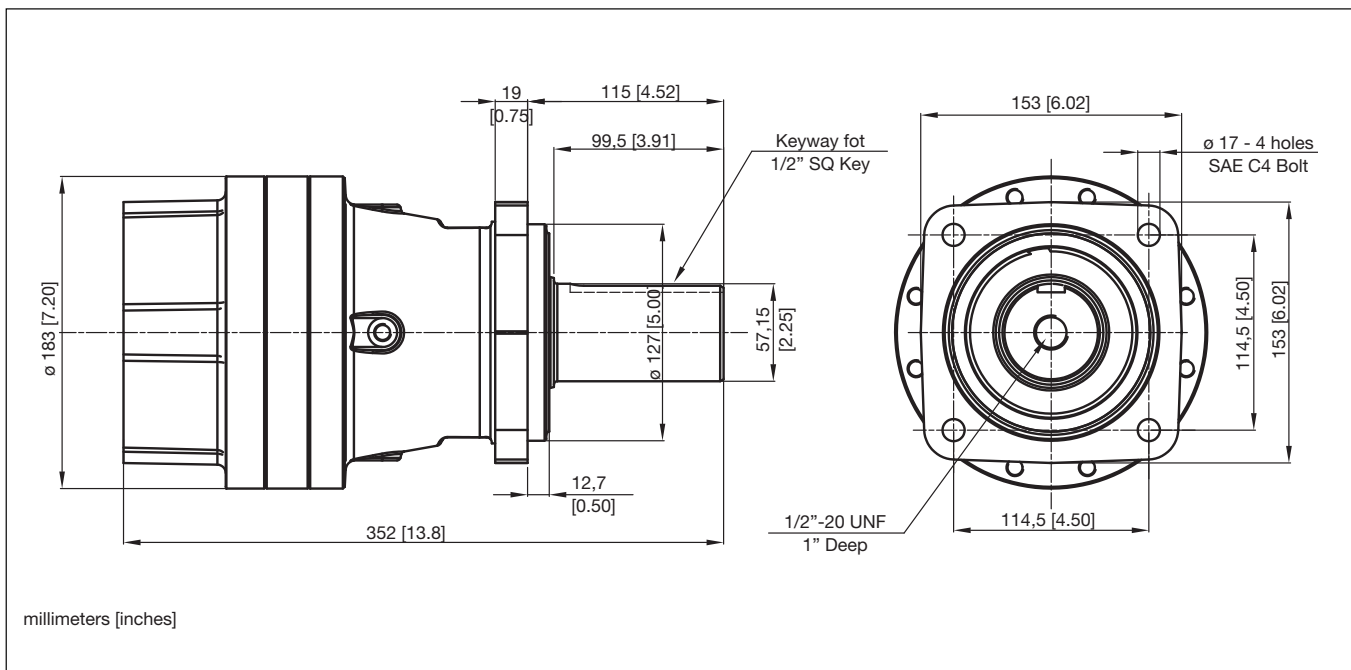
**Intermittent**

5.300 Nm

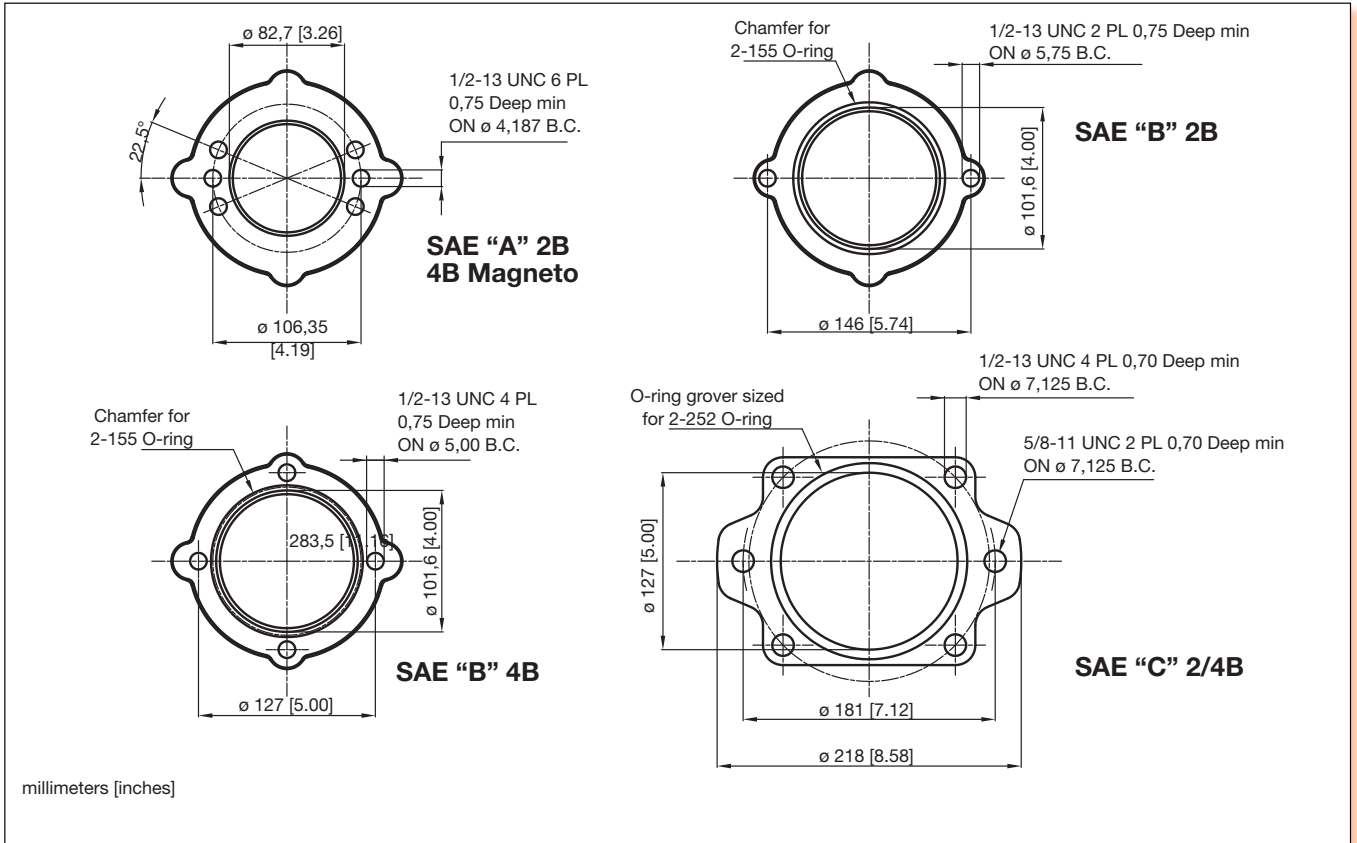
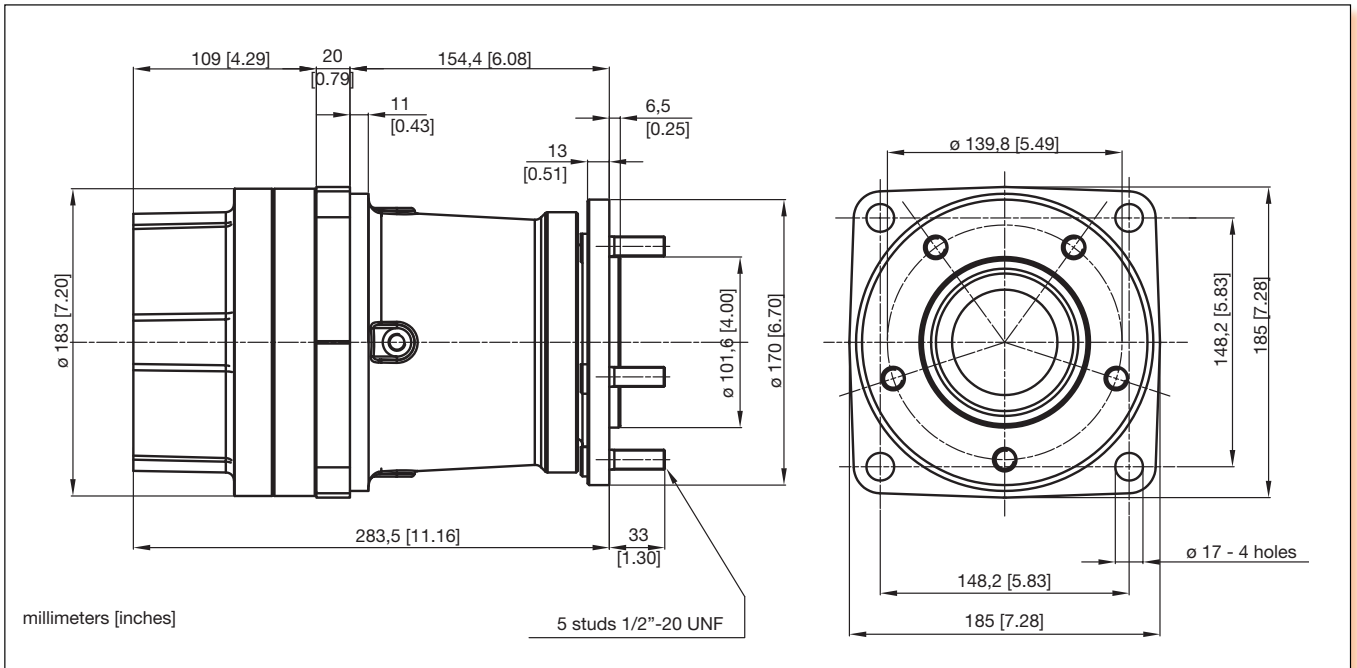
**Peack**

7.000 Nm

**900 SERIES FF TYPE**



**900 SERIES CF TYPE**



**(ALSO FOR RADIAL PISTON MOTORS)**

As HANSA-TMP has a very extensive range of products and some products have a variety of applications, the information supplied may often only apply to specific situations. If the catalogue does not supply all the information required, please contact HANSA-TMP.

In order to provide a comprehensive reply to queries we may require specific data regarding the proposed application.

Whilst every reasonable endeavour has been made to ensure accuracy this publication cannot be considered to represent part of any contract, whether expressed or implied.

HANSA-TMP reserves the right to amend specifications at their discretion.



---

---

Dutch Hydraulic Consultants BV	Tel. : +31-(0)6-83695868
Achterweg ZZ 8	Mail : <a href="mailto:info@dhc-hydraulic.nl">info@dhc-hydraulic.nl</a>
3216 AB Abbenbroek	Web : <a href="http://www.dhc-hydraulic.nl">www.dhc-hydraulic.nl</a>
Nederland	