



TRAVEL DRIVES 700C Series



PRODUCT FEATURES

- Torque ratings up to 130.000 Nm
- Extremely compact design, with very high torque output
- Planetary gear units with up to 3 reduction stages
- Rotating flange with large PCD, suitable for sprocket, roller or wheel mounting
- Also available in the following configurations:
 - complete with axial pistons hydraulic motor
 - complete with orbital hydraulic motor
 - to suit numerous types of hydraulic motors (out of scope)
- Case hardened gears with addendum modification for increased strength
- High capacity bearings withstand heavy radial and axial loads and impacts
- Rugged dependable lifetime seals
- Hydraulically released failsafe parking brakes, multidisc type, spring operated, available on request

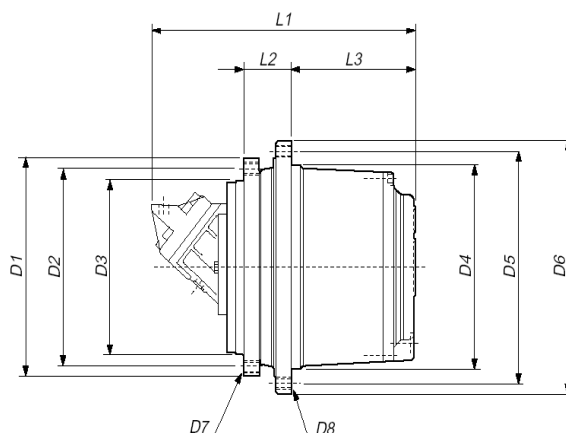
TRAVEL DRIVE 700C Series

Technical Informations

Type	Max. torque	Ratios 1:	Max. input speed min -1	Hydraulic motor drive (1)	Braking torque Nm	Min. opening pressure bar	Weight Kg
	Nm						
700 C1 H	1000	5.25	1000	LS	140 - 250	15 - 25	20
701 C1	2200	6.2	1000	LS	250 - 350	20 - 30	25
703 C2 H	4000	19 - 40	3500	HS	210	18	42
705 C2 H	10000	22 - 53	3500	HS	220 - 310	10 - 20	60
706 C3 H	18000	68 - 173	3500	HS	250 - 500	10 - 20	95
707 C3 B	23000	63 - 122	3500	HS	250 - 500	10 - 20	135
709 C3 B	30000	63 - 145	3500	HS	250 - 600	10 - 20	180
710 C3 B	36000	54 - 113	3500	HS	250 - 600	10 - 20	200
711 C3 B	45000	89 - 173	3500	HS	400 - 800	10 - 20	270
713 C3 B	60000	81 - 142	3000	HS	400 - 800	10 - 20	310
715 C3 B	85000	108 - 156	3000	HS	600 - 1000	10 - 20	350
717 C3 H	130000	148 - 210	3000	HS	800 - 1200	10 - 20	630

(1) LS = Low speed motor, HS = High speed motor

Dimensions



Type	Dimensions										
	D1	D2	D3	D4	D5	D6	D7	D8	L1	L2	L3
700 C1 H	195	175	155	160	180	200	M 10x1.5 n° 8	M 10x1.5 n° 8	200	40	80
701 C1	230	200	180	190	210	230	M 10x1.5 n° 8	M 10x1.5 n° 8	220	40	105
703 C2 H	270	230	190	200	240	280	M 16x2 n° 8	M 20x1.5 n° 8	365	72	128
705 C2 H	270	230	190	220	260	300	M 16x2 n° 12	M 16x2 n° 16	370	72	158
706 C3 H	330	300	270	280	330	370	M 16x2 n° 18	M 16x2 n° 18	470	115	190
707 C3 B	380	285	240	320	380	410	M 20x2.5 n° 20	M 16x2 n° 20	460	82	230
709 C3 B	380	285	240	350	400	435	M 20x2.5 n° 20	M 20x2.5 n° 16	495	91	235
710 C3 B	375	340	300	350	400	435	M 20x2.5 n° 20	M 20x2.5 n° 16	520	91	253
711 C3 B	425	325	290	410	455	490	M 20x2.5 n° 24	M 20x2.5 n° 24	550	110	265
713 C3 B	425	325	290	410	455	490	M 20x2.5 n° 24	M 20x2.5 n° 24	565	110	280
715 C3 B	500	460	420	460	510	550	M 20x2.5 n° 24	M 20x2.5 n° 24	652	130	315
717 C3 H	570	510	450	560	610	660	M 30x3.5 n° 20	M 24x3 n° 24	735	170	350

For further information please ask for cat. HT 08/B/01A/91

As HANSA-TMP has a very extensive range of products and some products have a variety of applications, the information supplied may often only apply to specific situations. If the catalogue does not supply all the information required, please contact HANSA-TMP.

In order to provide a comprehensive reply to queries we may require specific data regarding the proposed application.

Whilst every reasonable endeavour has been made to ensure accuracy this publication cannot be considered to represent part of any contract, whether expressed or implied.

HANSA-TMP reserves the right to amend specifications at their discretion.



Dutch Hydraulic Consultants BV	Tel. : +31-(0)6-83695868
Achterweg ZZ 8	Mail : info@dhc-hydraulic.nl
3216 AB Abbenbroek	Web : www.dhc-hydraulic.nl
Nederland	